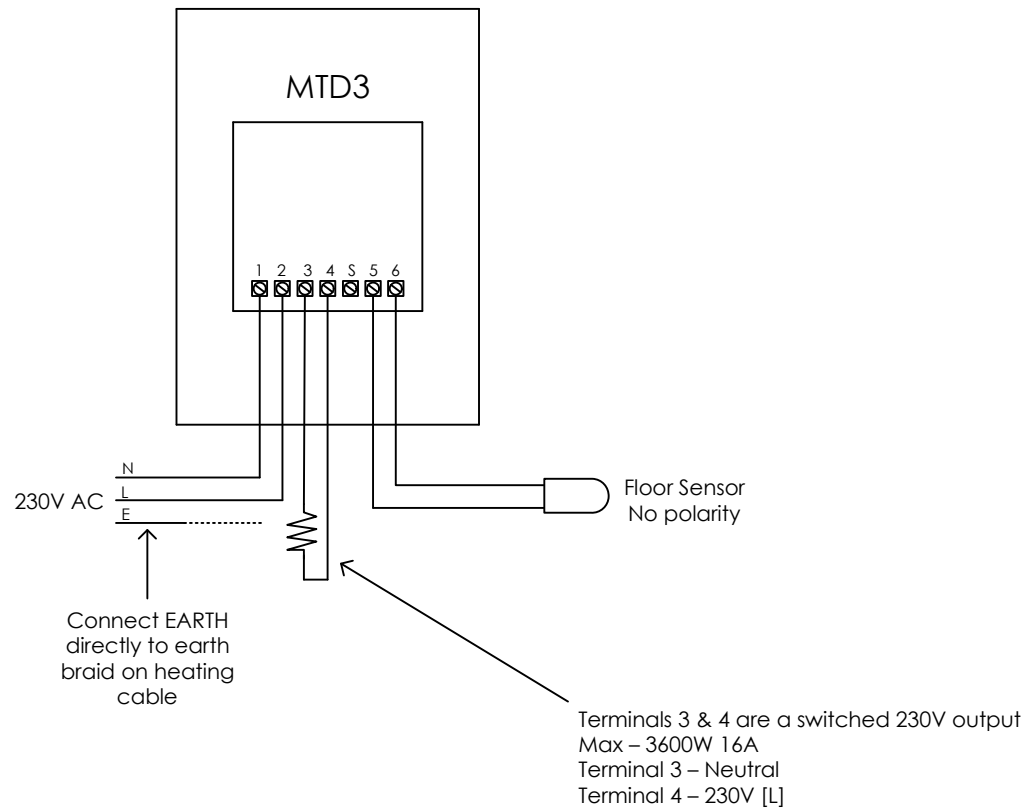


WIRING OF MTD3 THERMOSTAT

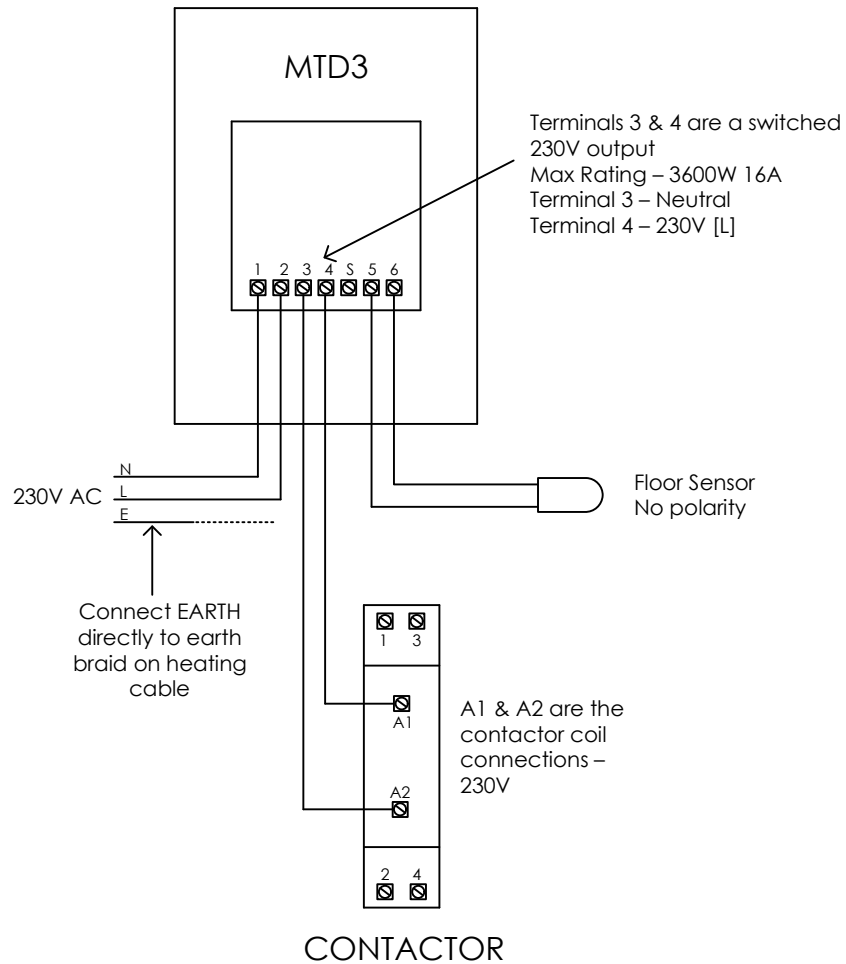
Heating load less than 3600W



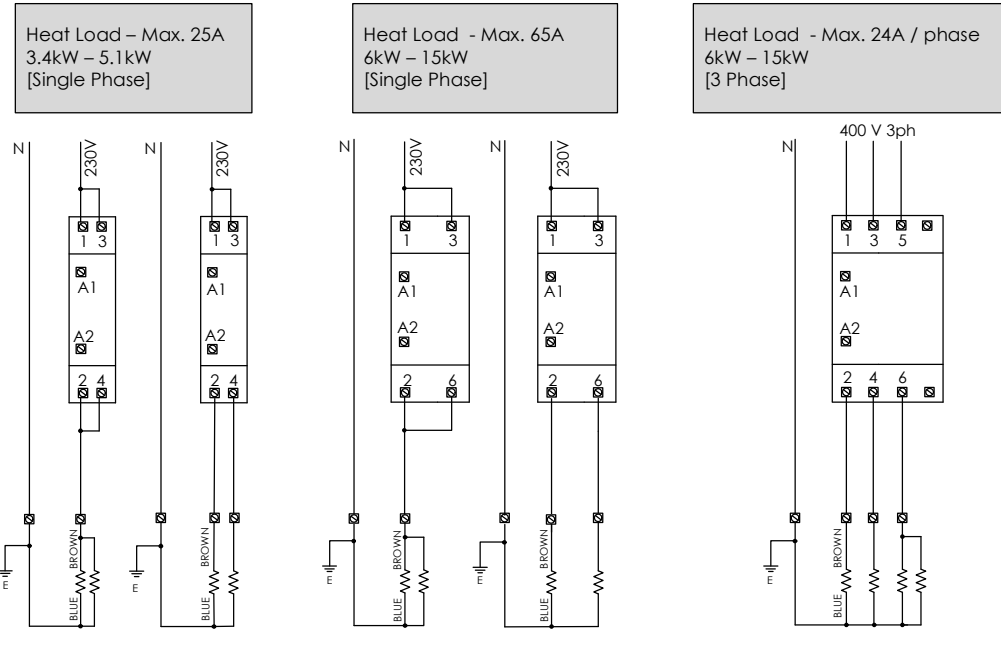
NOTE: Earth screen of all heating cables is to be connected to EARTH

WIRING OF MTD3 THERMOSTAT AND CONTACTOR

Where the floor heating load exceeds 3400W a contactor needs to be installed



CONTACTOR WIRING DETAILS



NOTE:

- When the **contactor operates there is a 'Clunk' noise** as the contactor closes. Due to the noise contactors are best located outside the heated space in the switchboard or a suitable cupboard.

For **remote contactor wiring** the suggested arrangement is;

- To thermostat 2 x twin cables (AC Power plus wires to A1 & A2 on contactor).
- Mains power from circuit breaker to contactor.
- Correct sized power cables (A,N+E) from contactor to junction point to connect to heating cold tail cables.
- Check the electrical heating load to correctly size the power cables.

NOTE: Earth screen of all heating cables is to be connected to EARTH