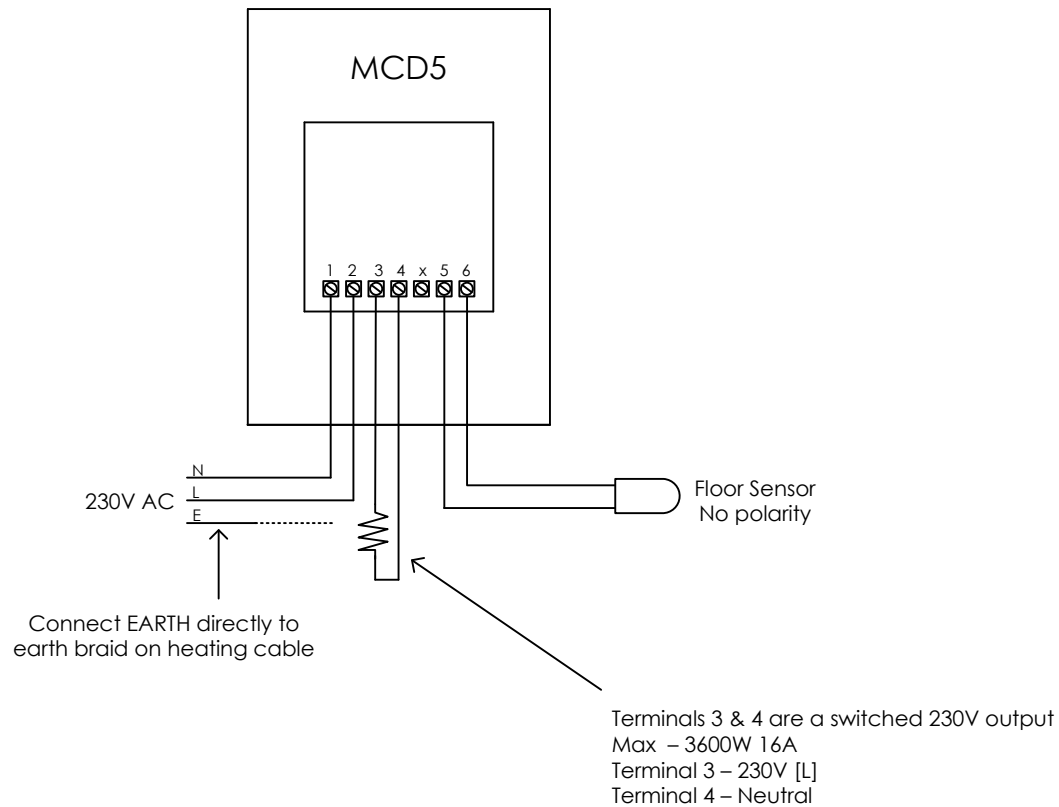


# WIRING OF MCD5 THERMOSTAT

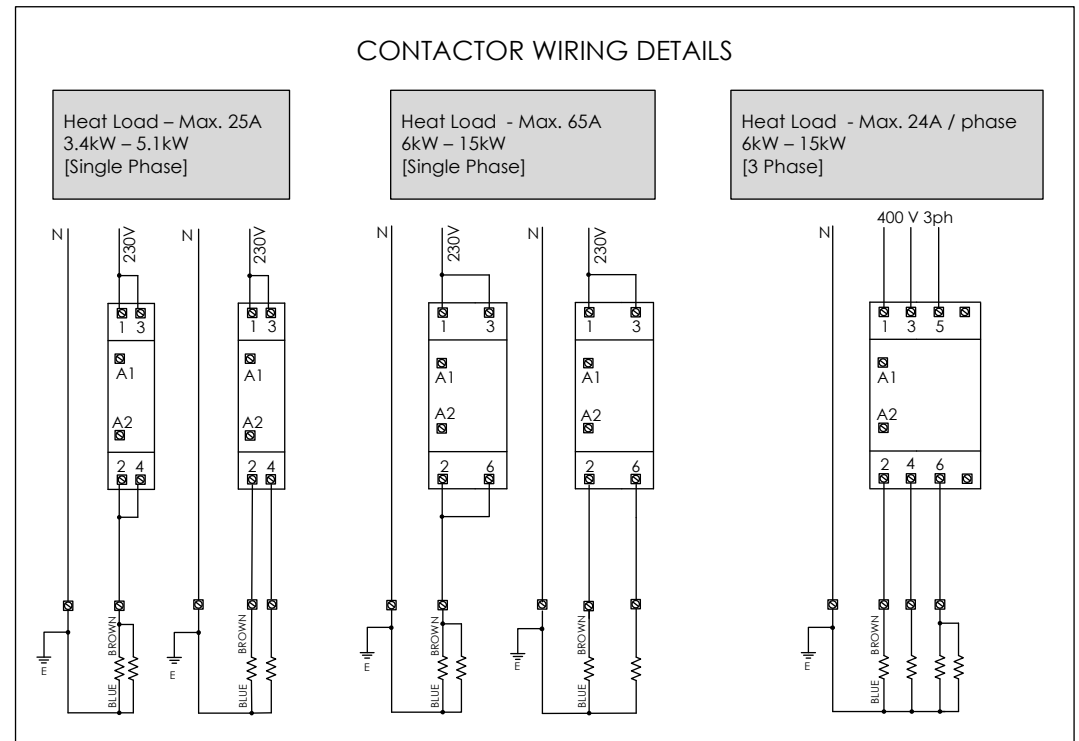
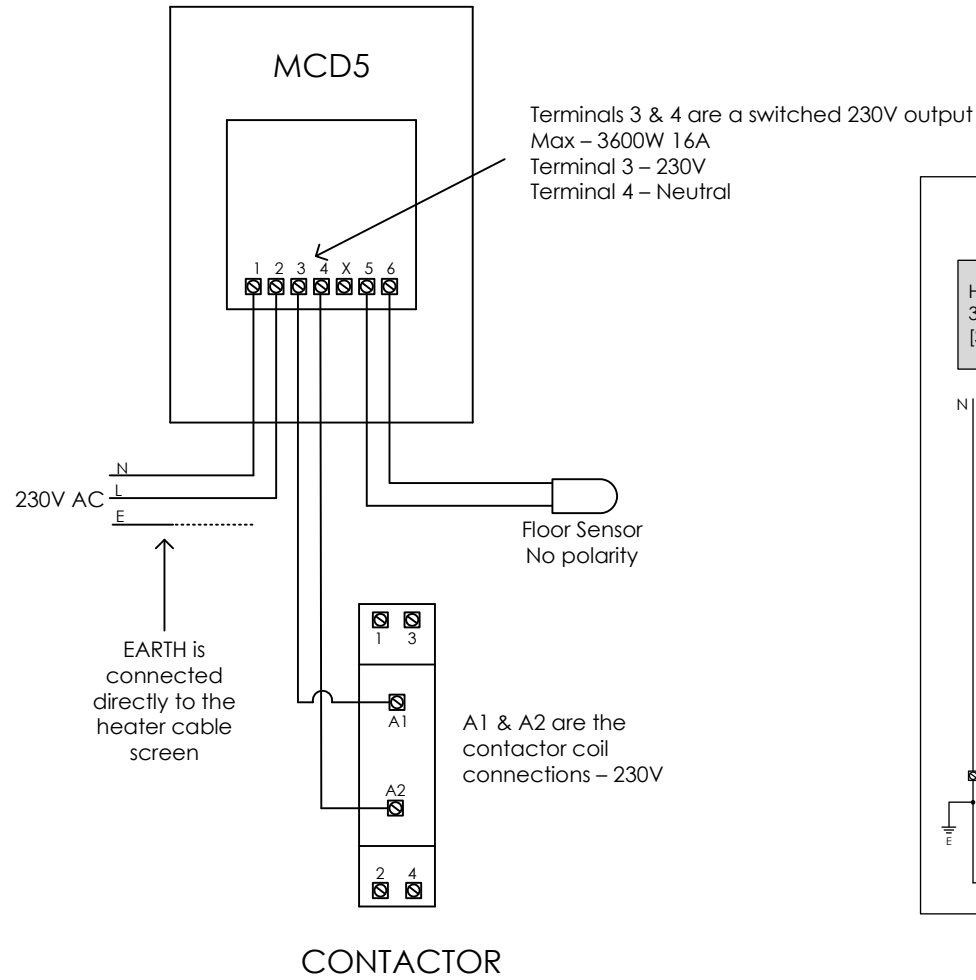
Heating load less than 3600W



NOTE: Earth screen of all heating cables is to be connected to EARTH

# WIRING OF MCD5 THERMOSTAT AND CONTACTOR

Where the floor heating load exceeds 3400W a contactor needs to be installed



NOTE: Earth screen of all heating cables is to be connected to EARTH