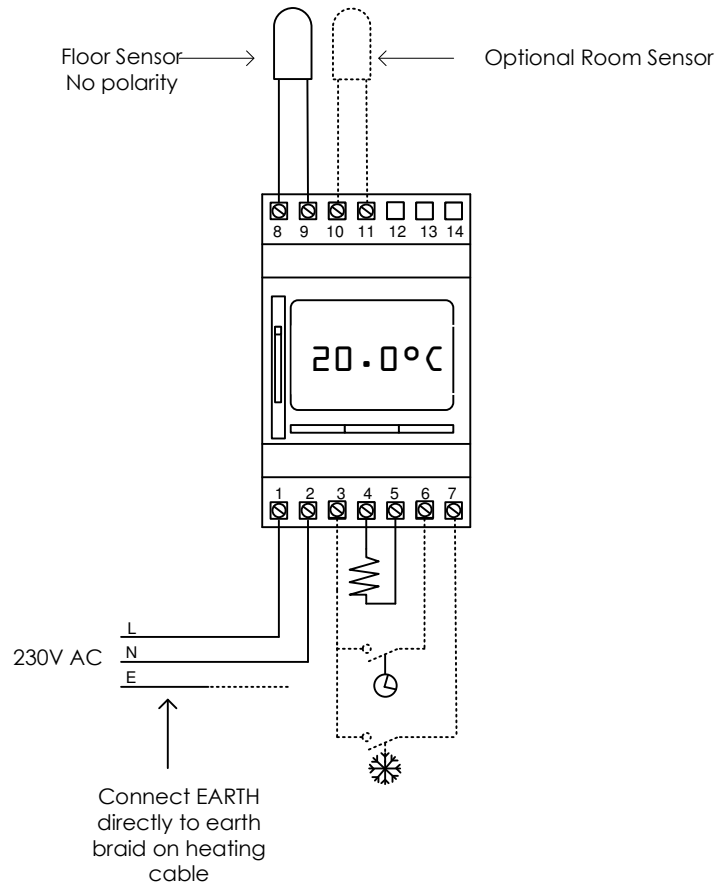


WIRING OF ETN4 THERMOSTAT

Heating load less than 3600W



ETN Thermostats & C-Bus Control

The ETN thermostat is suitable for din type switchboard mounting. The connections to the thermostat are:

Terminal 1 - 230V (L) Power
Terminal 2 - Neutral (N)

Terminal 3 - Temperature Setback - Output
Terminal 6 - Temperature Setback - Input

Terminal 4 - Heater 230V - Output
Terminal 5 - Heater Neutral - Input

Terminal 3 - Frost Protect - Output
Terminal 7 - Frost Protect - Input

Terminal 8 - Floor Sensor
Terminal 9 - Floor Sensor

Terminal 10 - External Room Sensor
Terminal 11 - External Room Sensor

C-Bus Control

To turn the floor heating On/Off (no daily control) the C-Bus can be used to switch the power supply to the ETN4 thermostat by breaking the 230V power supply to terminals 1 & 2.

For daily control close terminals 3 & 6, which will set the thermostat into setback mode (i.e. a lower temperature).

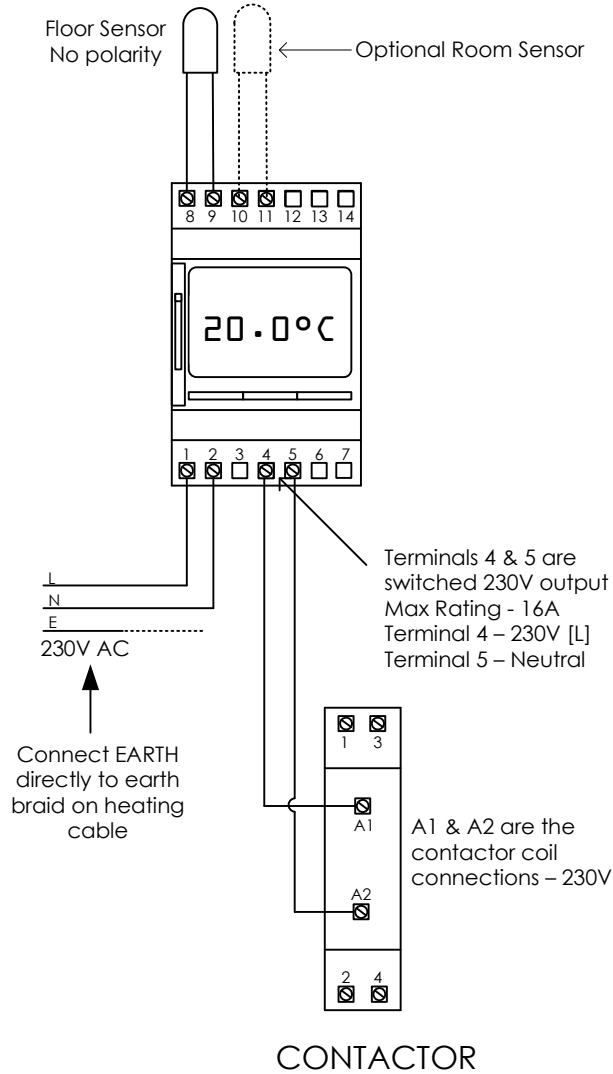
Cable Extension

You can extend the sensor cable with a TWIN wire – Max Length 100m or similar

NOTE: Earth screen of all heating cables is to be connected to EARTH

WIRING OF ETN4 THERMOSTAT AND CONTACTOR

Where the floor heating load exceeds 3400W a contactor needs to be installed



ETN Thermostats & C-Bus Control

The ETN Thermostat is suitable for din type switchboard mounting. The connections to the thermostat are:

Terminal 1 - Power 230V [L]
Terminal 2 - Neutral (N)

Terminal 3 - Temperature Setback - Output
Terminal 6 - Temperature Setback - Input

Terminal 4 - Heater 230V [L] - Output
Terminal 5 - Heater Neutral [N] - Input

Terminal 3 - Frost Protect - Output
Terminal 7 - Frost Protect - Input

Terminal 8 - Floor Sensor - no polarity
Terminal 9 - Floor Sensor - no polarity

Terminal 10 - External Room Sensor
Terminal 11 - External Room Sensor

C-Bus Control

To turn the floor heating on/off (no daily control) the C-Bus can be used to switch the power supply to the ETN4 thermostat by breaking the 230V power supply to terminals 1 & 2.

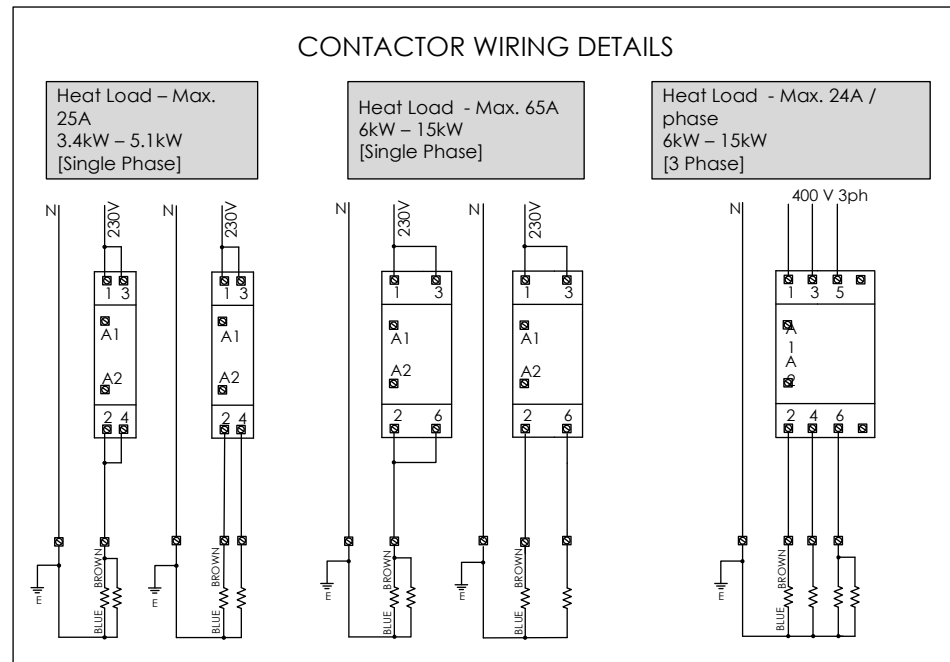
For daily control close terminals 3 & 6, which will set the thermostat into *setback mode* (i.e. lower temperature). The C-Bus programmes setback times. (Refer to ETN4 User Manual)

Contactors

If the heater load is greater than 3600 Watts or 16A, these terminals can be connected to the contactor coil to drive a contactor.

Cable Extension

You can extend the sensor cable with a TWIN wire - Max Length 100m or similar



NOTE: Earth screen of all heating cables is to be connected to EARTH